

VTX-240

SPECIFICATIONS

| | |
|-----------------------------------|----------------------------|
| Working height | 24,2 m |
| Platform height | 22,2 m |
| Max Outreach at a 0° slope | 12,5 / 11,3 / 9,0 / 8,3 m* |
| Max Cage capacity | 80 / 120 / 200 / 220 kg |
| Flyboom | No |
| GVW | 3500 kg |
| Max slope | 1 / 1° |

STANDARD

H-frame outriggers + Extendable H-frame outriggers
 2 man Alu cage (with door, flash and electrical outlet)
 Lift rotation: 420°. Cage rotation: 2 x 90°
 Emergency hand pump
 OLS: Outreach Load sensing System

SCAN QR CODE



OPTIONS

Footplates for outriggers
 LED flash (front and rear)
 Safety stripes (red/white)

IMAGES



Perfectly vertical lower boom and horizontal upper boom**



Ability to work below ground level (-3,3 meters)



H-frame outriggers + Extendable H-frame outriggers



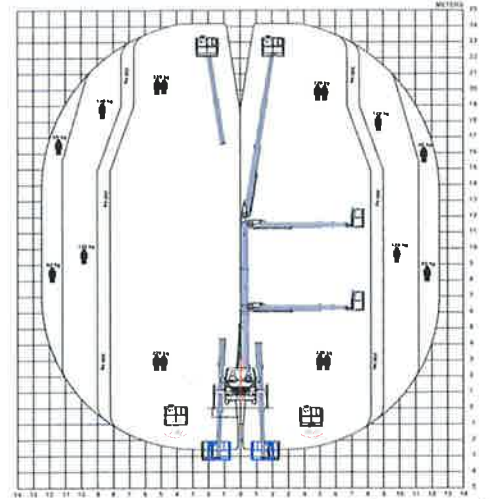
Cage rotator: 2 x 90°



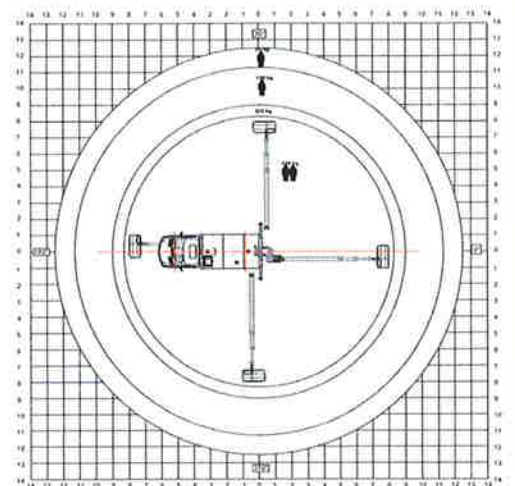
6 cm ground clearance below the end mounted cage



FPC: Full proportional CANbus controls with display



Reach at 80 / 120 / 200 / 220 kg cage load 0°



Reach at 80 / 120 / 200 / 220 kg cage load 0°



2 x 3 stage telescopic booms with patented 90° moveable knuckle in between

NOTE

* Depending on the vehicle

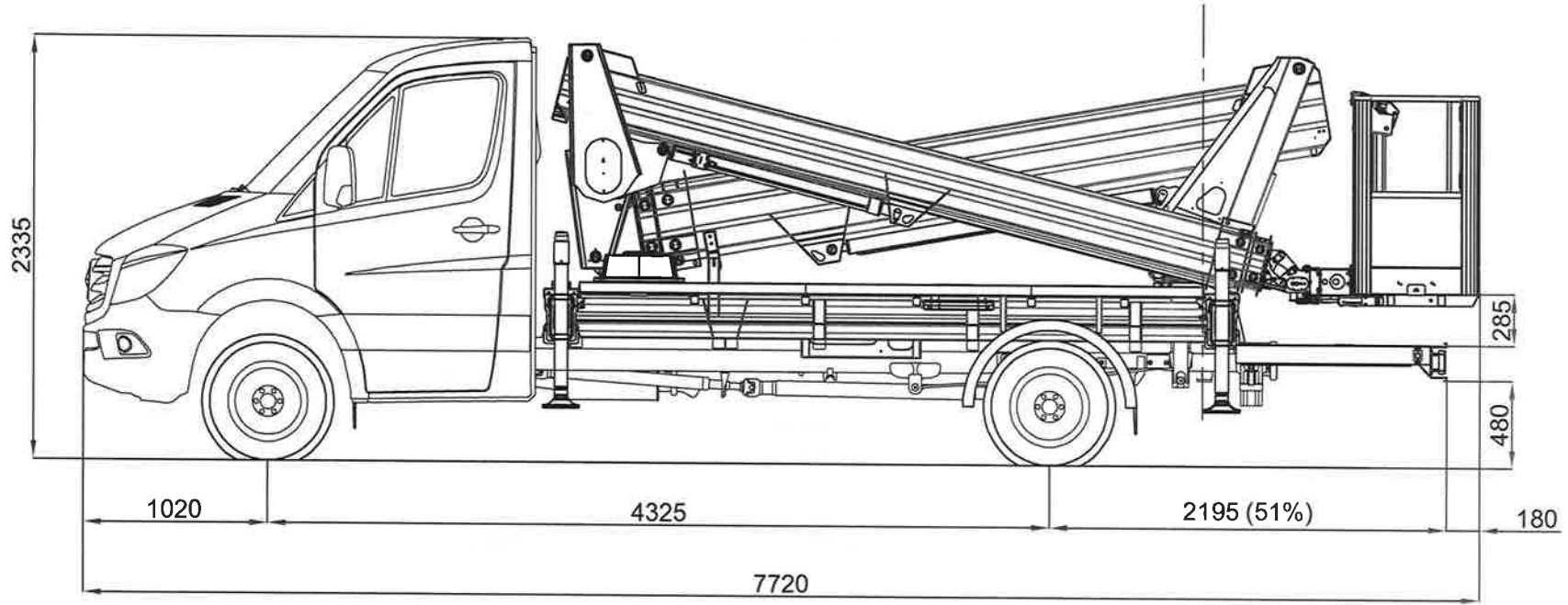
** Up and over* reach of 11 metres up and 12.5 metres out (80 kg cage load)



VTX-240/CS50/MB Sprinter/2016-04/UK



TIME International A/S
 Søndervang 3 - DK-9640 Farsø
 Phone +45 9863 2433 - Fax +45 9863 2483
 sales@TeamTIME.dk - www.TeamTIME.dk





| | | | | | |
|---|--|--|---|--------------------------|----------------------------|
| TITLE / BENENNUNG VTX-240 MB SPRINTER (EURO 5B+) 313 CDI WB / RADSTAND 4325 | REAR PLATFORM / HINTER LADE FLÄCHE EO-08-10-26 | BUCKET / KORB EO-07-11-821 | DWN. BY / BEARB. J.R. | DATE / DATUM 13 12 12 | LAST UPDT. / LETZTE ÄNDERN |
| | AXLE LOCK / ACHSEBLOCKIERUNG NO / NEIN | OUTRIGGERS / ABSTÜTZEN EO-02-24-65-55 | REV. / GEPR. | REV. DATE / DATUM | SCALE / MASSSTAB fit |
| NOTES / BEMERKUNGEN | DRAWING NUMBER / ZEICHNUNG-NR. SO-3394-1 | |   | | |

| | |
|---|--|
| PROPERTY INFORMATION <small>This drawing, its design detail, dimension, tolerances and disclosure are the confidential information and exclusive property of TIME INTERNATIONAL, and shall not be traced, reproduced or copied in any manner nor disclosed to any outside party without the prior written consent of TIME INTERNATIONAL, all rights reserved.</small> | EIGENTUMSHINWEIS <small>Diese Zeichnung, die konstruktiven Einzelheiten, Abmessungen, Toleranzen und Pflichten sind vertraulich und ausschließlich Eigentum von TIME INTERNATIONAL und dürfen in keinem Fall nachgezeichnet oder vervielfältigt noch an Dritte weitergegeben werden ohne ausdrückliche schriftliche Genehmigung von TIME INTERNATIONAL, alle Rechte vorbehalten.</small> |
|---|--|